

File trimless recessed

code F1101.8HCXD/01

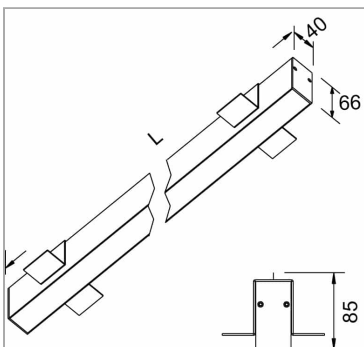


PRODUCT DESCRIPTION

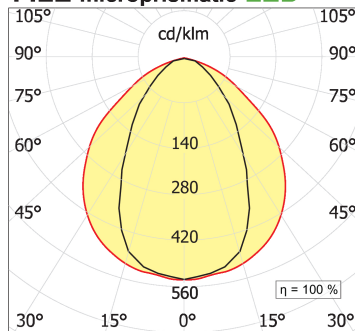
Direct trimless recessed indoor lamp in extruded aluminum 6060, complete with led; color rendering index CRI >90. Professional led 19.2 W modules assembled and wired on extruded aluminum heatsink with high performance reflector, equipped with harmonic steel springs for installation in the profile Tools free; wiring through 5 cables with quick coupling terminal blocks; protocol Dimmable Dali; polycarbonate with diffusing film. Protection rating IP40/IP43.

PRODUCT SPECS

Installation method	Trimless recessed
Light source	LED
Absorbed power	19,2 W
Color temperature	Horticulture
Color rendering index CRI	>90
Optic	Microprismatic diffuser
Finishing	White
MacAdam color tolerance	3
Life time estimate	50000h Ta 25° L80B10
Protocol	Dimmable Dali
Energy efficiency class	E
Weight	1.50 Kg
Dimension	L860 mm
Hole size	42XL+2 mm
IP Grade	Inst. Parete Ip40 / Inst. Soffitto Ip43
Power supply	220-240V 50-60Hz



FILE microprismatic LED



WEB PAGE



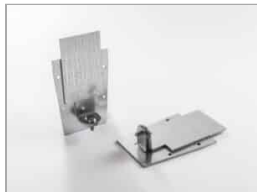
ASSEMBLY INSTRUCTIONS



OPTIONAL ACCESSORIES

Couple of closure heads 40 mm

code LT2480.1



Modular system for direct, diffused and/or accent lighting, consisting of hollow profiles made from 66x40 mm painted or anodised extruded aluminium, with a predefined length or cut to measure, available in the following versions: wall-mounted, ceiling-mounted, suspended, recessed with a super-slim edge trim, just 5 mm wide (61.5 x 40 mm) and trimless recessed. To be integrated with LED linear light sources, battens for T16 fluorescent lamps, projectors with built-in LED source and max 16A 3-circuit track modules for inclusion of projectors. Fluorescent battens, complete with 50/60 Hz 230/240 V electronic power supply, LED batten driver included. To be completed with side end caps with Light Proof system, opal white or microprismatic PC diffusing screen (in accordance with EN 12464-1), closing profiles, with a predefined length or cut to measure, or dark-light aluminium grille with high specular qualities and mounting brackets or suspension cables. IP40 protection rating.

Technical Sheet

