

File 2 suspension 24W/m

code F2303.840XD/01

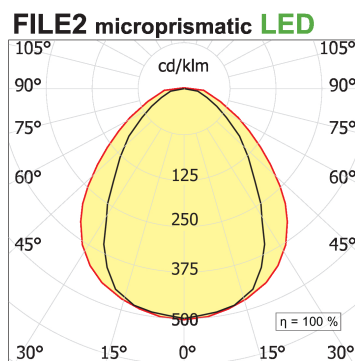
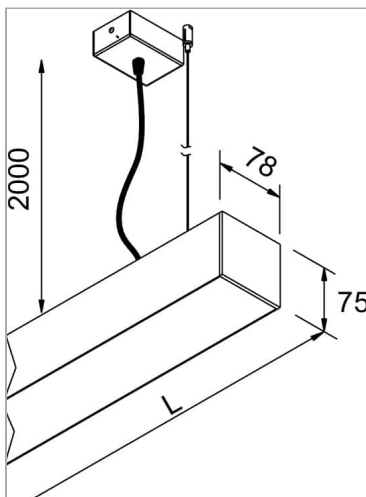


PRODUCT DESCRIPTION

Direct light indoor suspension lamp made of extruded aluminum 6060; complete with led; color rendering index CRI >90. Professional led modules assembled and wired on extruded aluminum heatsink with high performance reflector, equipped with harmonic steel springs for installation in the profile Tools free, wiring through 5 cables with quick-release terminal blocks, protocol Dimmable Dali. Lamp with color finish white, in polycarbonate with diffusing film. Degree of protection IP40/IP43.

PRODUCT SPECS

Installation method	Suspension
Light source	LED
Absorbed power	32 W
Color temperature	4000K
Color rendering index CRI	>90
Optic	Microprismatic diffuser
Finishing	White
Luminous flux of the product	2631 lm
Luminous efficiency	82 lm/W
MacAdam color tolerance	3
Life time estimate	50000h Ta 25° L80B10
Protocol	Dimmable Dali
Energy efficiency class	E
Dimension	L1420 mm
IP Grade	Inst. Parete Ip40 / Inst. Soffitto Ip43
Power supply	220-240V 50-60Hz



WEB PAGE



ASSEMBLY INSTRUCTIONS



