

**File 2 suspension 24W/m**

code F2306.8HCP/01

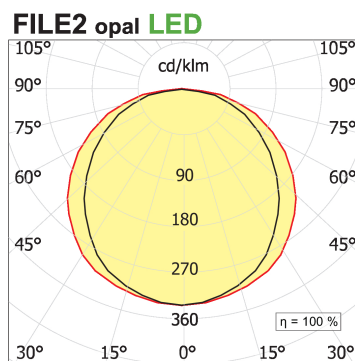
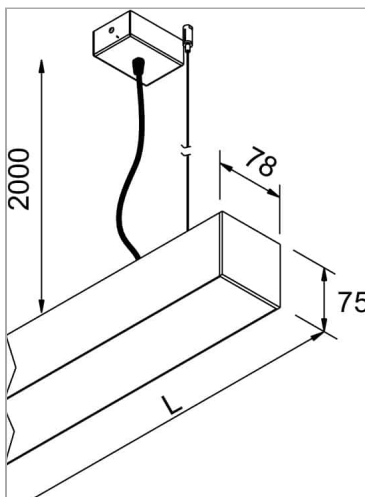


**PRODUCT DESCRIPTION**

Direct light indoor suspension lamp made of extruded aluminum 6060; complete with led; color rendering index CRI >90. Professional led modules assembled and wired on extruded aluminum heatsink with high performance reflector, equipped with harmonic steel springs for installation in the profile Tools free, wiring through 5 cables with quick-release terminal blocks, protocol On/Off. Lamp with color finish white, in polycarbonate with diffusing film. Degree of protection IP40/IP43.

**PRODUCT SPECS**

Installation method	Suspension
Light source	Linea Led
Absorbed power	26,4 W
Color temperature	Horticulture
Color rendering index CRI	>90
Optic	Opal polycarbonate diffuser
Finishing	White
Protocol	On/Off
Energy efficiency class	D
Dimension	L2265 mm
IP Grade	Inst. Parete Ip40 / Inst. Soffitto Ip43
Power supply	220-240V 50-60Hz



**WEB PAGE**



**ASSEMBLY INSTRUCTIONS**



