

File 2 suspension 24W/m

code F2307.840PD/01

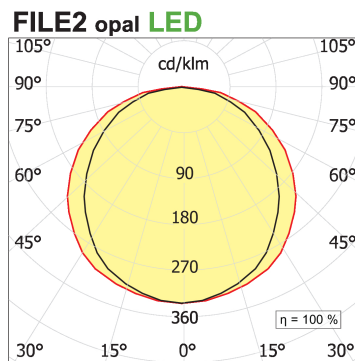
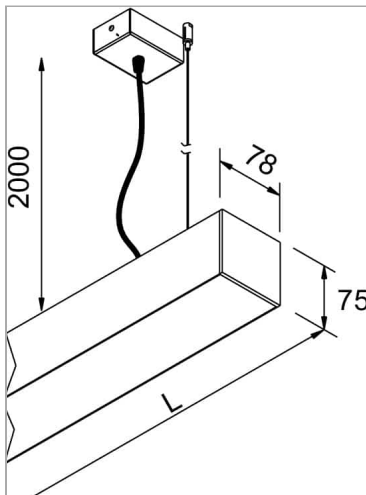


PRODUCT DESCRIPTION

Direct light indoor suspension lamp made of extruded aluminum 6060; complete with led; color rendering index CRI >90. Professional led modules assembled and wired on extruded aluminum heatsink with high performance reflector, equipped with harmonic steel springs for installation in the profile Tools free, wiring through 5 cables with quick-release terminal blocks, protocol Dimmable Dali. Lamp with color finish white, in polycarbonate with diffusing film. Degree of protection IP40/IP43.

PRODUCT SPECS

| | |
|------------------------------|---|
| Installation method | Suspension |
| Light source | LED |
| Absorbed power | 57,6 W |
| Color temperature | 4000K |
| Color rendering index CRI | >90 |
| Optic | Opal polycarbonate diffuser |
| Finishing | White |
| Luminous flux of the product | 4237 lm |
| Luminous efficiency | 74 lm/W |
| MacAdam color tolerance | 3 |
| Life time estimate | 50000h Ta 25° L80B10 |
| Protocol | Dimmable Dali |
| Energy efficiency class | E |
| Dimension | L2545 mm |
| IP Grade | Inst. Parete Ip40 / Inst. Soffitto Ip43 |
| Power supply | 220-240V 50-60Hz |



WEB PAGE



ASSEMBLY INSTRUCTIONS



