

Mini Sight Minimal 2M

code MS60.930W/01

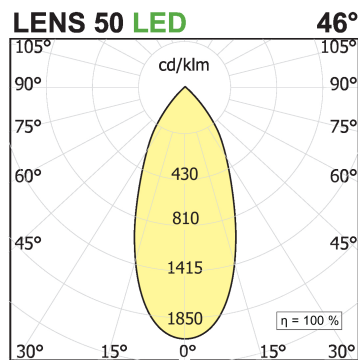
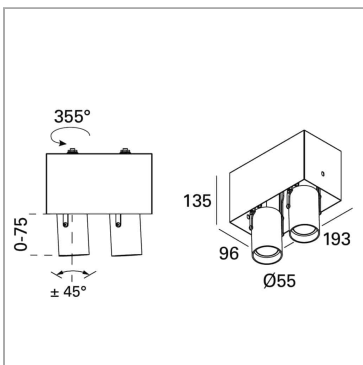


PRODUCT DESCRIPTION

Square recessed fixture without frame, 2 lamps. Adjustable pull-out optic

PRODUCT SPECS

Installation method	Trimless recessed
Light source	LED
Absorbed power	2x12 W / 2x18 W
Color temperature	3000K
Color rendering index CRI	>90
Optic	Wide 46°
Finishing	White
Luminous flux of the product	2578 lm / 3158 lm
Luminous efficiency	107 lm/W / 88 lm/W
MacAdam color tolerance	2
Life time estimate	2SCDM 50.000h L90 B10 ta25°
Energy efficiency class	D
Weight	1.05 Kg
Dimension	L193xW96xH135 Ø55 mm
IP Grade	IP20
Protection Class	Class III appliance
Power supply/Transformer	Not included
Protocol	See power supply



WEB PAGE

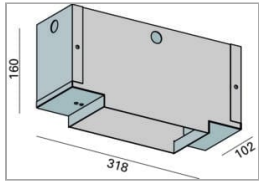


ASSEMBLY INSTRUCTIONS



MANDATORY ACCESSORIES

Box mini sight 2M



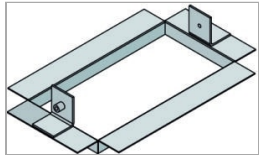
code MSC12

Galvanized metal wallbox to be recessed in brick walls or reinforced concrete to fit the article MINI INCAS 2M

Technical Sheet



Accessori Wallbox Frame for Mini sight 2M



code MSC22

inspectable Frame to Be Fixed and plastered in 15mm height plasterBoard False ceilings

Technical Sheet



