

**File Flex Circle C80 Suspension**

code FXV21.827/01

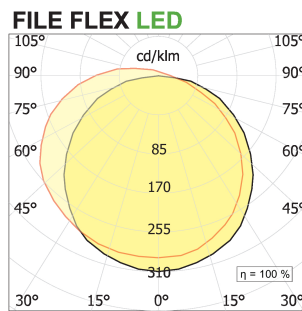
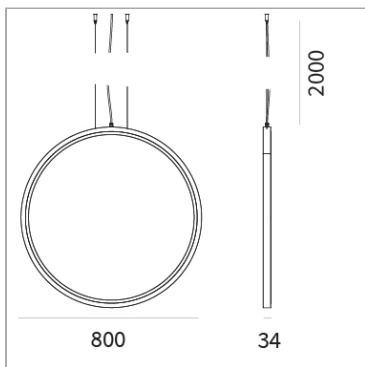


**PRODUCT DESCRIPTION**

File Flex is a patented products of Lucifero's made of versatile extruded aluminium profile, which can design infinite shapes. Its asymmetrical section is designed to realize unique lighting effects meanwhile ensuring optimal illumination levels. The linear LED source screened by a flexible opal extruded silicone diffuser creates seamless lighting effects. The system allows the use of blind modules, multi-optic from Leva series or adjustable spot from Spot Focus series Ø26 and Ø36

**PRODUCT SPECS**

Installation method	Suspension
Light source	LED
Absorbed power	35 W
Color temperature	2700K
Color rendering index CRI	>80
Finishing	White
Luminous flux of the product	1966 lm
Luminous efficiency	56 lm/W
Life time estimate	3SDCM 50000h L90 B10 Ta 25°C
Energy efficiency class	D
Weight	2.8 Kg
Dimension	Ø500 mm
IP Grade	IP40
Protection Class	Class III appliance
Power supply/Transformer	Not included
Protocol	See power supply



**WEB PAGE**



**ASSEMBLY INSTRUCTIONS**



## OPTIONAL ACCESSORIES

### CANOPY CONNECTION



code LB420/01

REGISTERED DESIGN - File Flex is a versatile extruded aluminium profile, which can design infinite shapes. Its asymmetrical section is designed to realize unique lighting effects meanwhile ensuring optimal illumination levels. The linear LED source screened by a flexible opal extruded silicone diffuser creates seamless lighting effects. The system allows the use of blind modules, multi-optic from Leva series or adjustable spot from Spot Focus series Ø26 and Ø36. It has to be completed by stabilized drivers 24V or 48V.

Technical Sheet



### Lbs System Canopy for housing driver



code LB421/01

REGISTERED DESIGN - File Flex is a versatile extruded aluminium profile, which can design infinite shapes. Its asymmetrical section is designed to realize unique lighting effects meanwhile ensuring optimal illumination levels. The linear LED source screened by a flexible opal extruded silicone diffuser creates seamless lighting effects. The system allows the use of blind modules, multi-optic from Leva series or adjustable spot from Spot Focus series Ø26 and Ø36. It has to be completed by stabilized drivers 24V or 48V.

Technical Sheet



### Lbs System Canopy for plasterboard false-ceiling

Lbs System Canopy for plasterboard false-ceiling



code LB428/01

Lbs System Canopy for plasterboard false-ceiling

Technical Sheet



### File Flex System CANOPY, DRIVER INCLUDED max 38W



code FXS101/01

REGISTERED DESIGN - File Flex is a versatile extruded aluminium profile, which can design infinite shapes. Its asymmetrical section is designed to realize unique lighting effects meanwhile ensuring optimal illumination levels. The linear LED source screened by a flexible opal extruded silicone diffuser creates seamless lighting effects. The system allows the use of blind modules, multi-optic from Leva series or adjustable spot from Spot Focus series Ø26 and Ø36. It has to be completed by stabilized drivers 24V or 48V.

Technical Sheet



### File Flex System CANOPY without DRIVER



code FXS103/01

REGISTERED DESIGN - File Flex is a versatile extruded aluminium profile, which can design infinite shapes. Its asymmetrical section is designed to realize unique lighting effects meanwhile ensuring optimal illumination levels. The linear LED source screened by a flexible opal extruded silicone diffuser creates seamless lighting effects. The system allows the use of blind modules, multi-optic from Leva series or adjustable spot from Spot Focus series Ø26 and Ø36. It has to be completed by stabilized drivers 24V or 48V.

Technical Sheet



