

**Ipedi Suspension R55S**

code PP151.940FDF/01

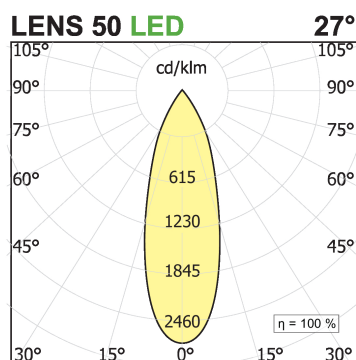
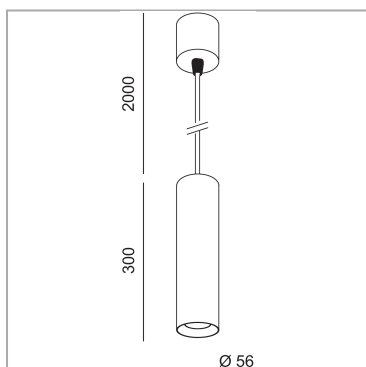


**PRODUCT DESCRIPTION**

x

**PRODUCT SPECS**

Installation method	Suspension
Light source	LED
Absorbed power	8 W
Color temperature	4000K
Color rendering index CRI	90
Optic	Flood 27°
Finishing	White
Luminous flux of the product	860 lm
Luminous efficiency	108 lm/W
Protocol	Dimmable Trailing Edge
Weight	1.26 Kg
Dimension	H300 Ø55 mm



**WEB PAGE**



**ASSEMBLY INSTRUCTIONS**

