

Ipedi Suspension R55S

code PP151.940WDF/01

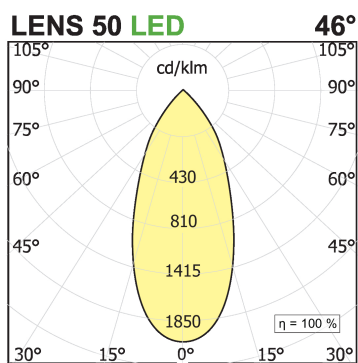
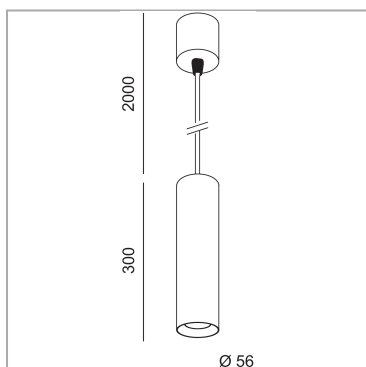


PRODUCT DESCRIPTION

x

PRODUCT SPECS

Installation method	Suspension
Light source	LED
Absorbed power	8 W
Color temperature	4000K
Color rendering index CRI	90
Optic	Wide 46°
Finishing	White
Luminous flux of the product	860 lm
Luminous efficiency	108 lm/W
Protocol	Dimmable Trailing Edge
Weight	1.26 Kg
Dimension	H300 Ø55 mm



WEB PAGE



ASSEMBLY INSTRUCTIONS

