

Ipedi Outdoor Wall R90A2 double emission

code PP621.935FD/01

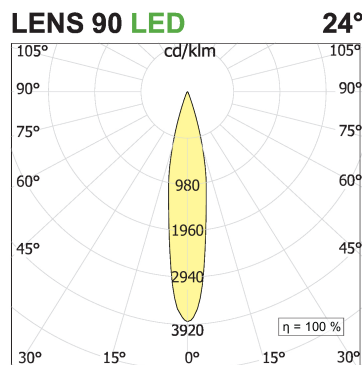
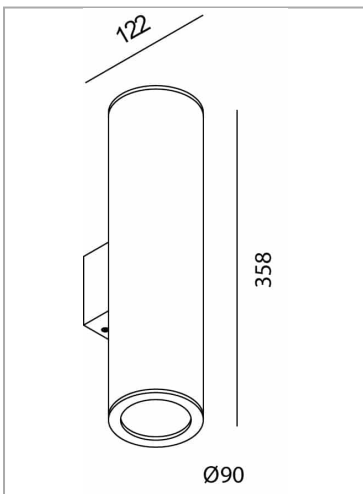


PRODUCT DESCRIPTION

indoor and outdoor wall lighting fixture characterized by aluminium tubular section. Bi-emission version.

PRODUCT SPECS

Installation method	Wall surface mounted
Light source	LED
Absorbed power	2x17 W
Color temperature	3500K
Color rendering index CRI	>90
Optic	Flood 24°
Finishing	White
Luminous flux of the product	4292 lm
Luminous efficiency	126 lm/W
MacAdam color tolerance	3
Life time estimate	3SDCM 50000h L90 B10 ta 25°C
Protocol	Dimmable Dali
Energy efficiency class	D
Dimension	H358 Ø90 mm
IP Grade	IP54
Power supply	220-240V 50-60Hz



WEB PAGE



ASSEMBLY INSTRUCTIONS



Complies with EN605981 and related notes. In the absence of metric symbols, the measurements are all in millimetres.
Luminous flux and power data are initially subject to tolerances +/- 10%. The values refer to an ambient temperature of 25°C unless otherwise specified.
We reserve the right to make changes to our products at any time.

