

**Ipedi Outdoor Wall R90A2 double emission**

code PP621.930W/01

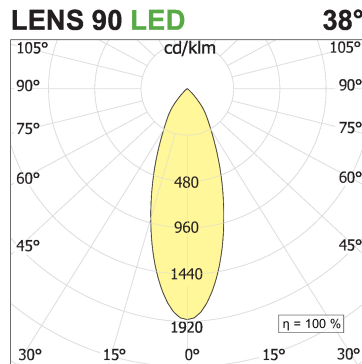
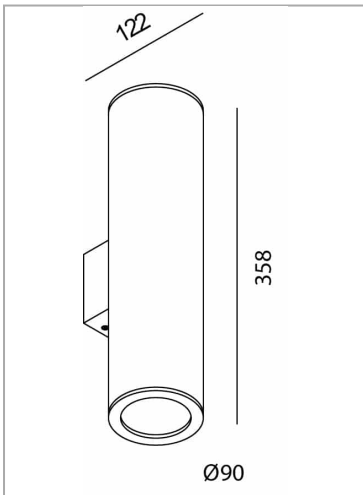


**PRODUCT DESCRIPTION**

indoor and outdoor wall lighting fixture characterized by aluminium tubular section. Bi-emission version.

**PRODUCT SPECS**

Installation method	Wall surface mounted
Light source	LED
Absorbed power	2x17 W
Color temperature	3000K
Color rendering index CRI	>90
Optic	Wide 38°
Finishing	White
Luminous flux of the product	4408 lm
Luminous efficiency	130 lm/W
MacAdam color tolerance	3
Life time estimate	3SDCM 50000h L90 B10 ta 25°C
Protocol	On/Off
Energy efficiency class	D
Dimension	H358 Ø90 mm
IP Grade	IP54
Power supply	220-240V 50-60Hz



**WEB PAGE**



**ASSEMBLY INSTRUCTIONS**



Complies with EN605981 and related notes. In the absence of metric symbols, the measurements are all in millimetres.  
Luminous flux and power data are initially subject to tolerances +/- 10%. The values refer to an ambient temperature of 25°C unless otherwise specified.  
We reserve the right to make changes to our products at any time.

