

File H wall double emission

code F1H57.830P/01

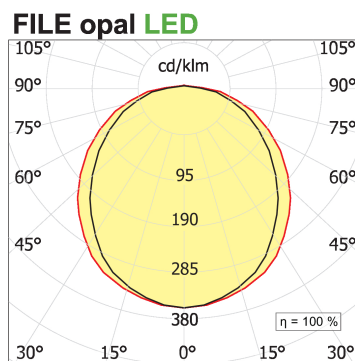
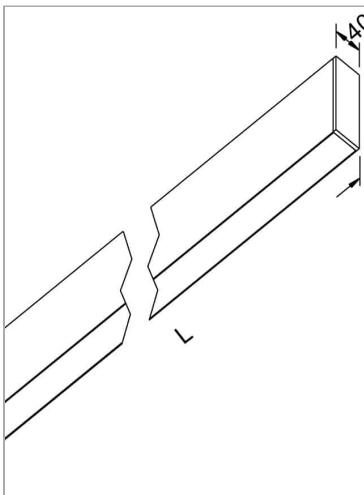


PRODUCT DESCRIPTION

Direct and indirect light indoor wall lamp made of extruded aluminum 6060, complete with led; color rendering index CRI >90. Professional led modules assembled and wired on extruded aluminum heatsink with high performance reflector, equipped with harmonic steel springs for installation in the profile Tools free; wiring through 5 cables with quick coupling terminal blocks; protocol On/Off; polycarbonate with diffusing film. Protection rating IP40.

PRODUCT SPECS

| | |
|------------------------------|-----------------------------|
| Installation method | Wall surface mounted |
| Light source | LED |
| Absorbed power | 2x57,6 W |
| Color temperature | 3000K |
| Color rendering index CRI | >90 |
| Optic | Opal polycarbonate diffuser |
| Finishing | White |
| Luminous flux of the product | 7974 lm |
| Luminous efficiency | 69 lm/W |
| MacAdam color tolerance | 3 |
| Life time estimate | 50000h Ta 25° L80B10 |
| Protocol | On/Off |
| Energy efficiency class | E |
| Dimension | L2545 mm |
| IP Grade | IP40 |
| Power supply | 220-240V 50-60Hz |



WEB PAGE



ASSEMBLY INSTRUCTIONS

