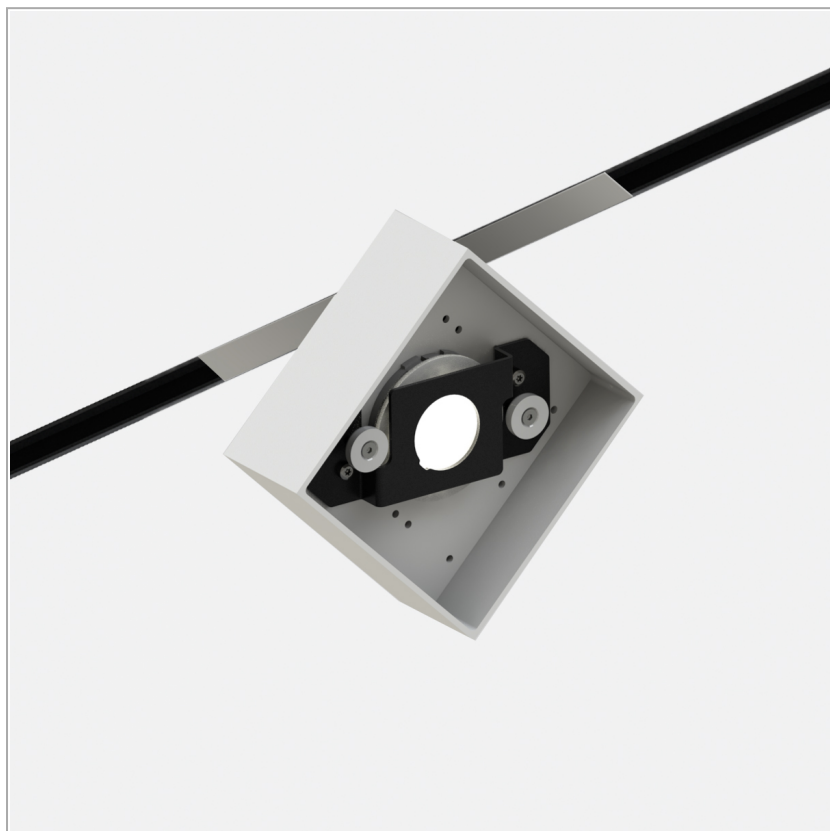


**Quadra System Body magnetic track
48V**

code QS02.930/01

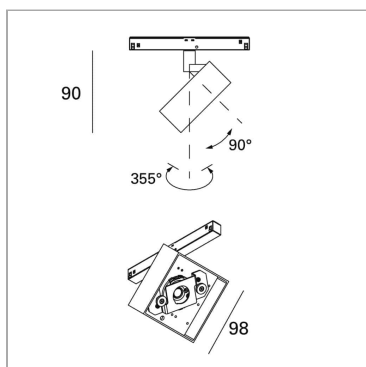


PRODUCT DESCRIPTION

Selection of projectors for indoor use, with painted aluminum body, fixed and adjustable with integrated LED sources with CRI > 90. Multiple installation options: recessed with or without frame, surface mounted or on Multi System Stucchi 48V rails. Spot, flood and wide lens optics with UGR < 19.

PRODUCT SPECS

Installation method	system
Light source	LED
Absorbed power	12 W
Color temperature	3000K
Color rendering index CRI	>90
Finishing	White
Luminous flux of the product	1350 lm
Luminous efficiency	113 lm/W
MacAdam color tolerance	3
Life time estimate	50000h Ta 25° L80 B10
Protocol	On/Off
Energy efficiency class	E
Weight	0.45 Kg
Dimension	L98xW98xH61+a mm
IP Grade	IP20
Power supply/Transformer	Not included
Protocol	See power supply



WEB PAGE



ASSEMBLY INSTRUCTIONS



Complies with EN605981 and related notes. In the absence of metric symbols, the measurements are all in millimetres.
Luminous flux and power data are initially subject to tolerances +/- 10%. The values refer to an ambient temperature of 25°C unless otherwise specified.
We reserve the right to make changes to our products at any time.

OPTIONAL ACCESSORIES

Accessori Quadra SPOT SNOOTER



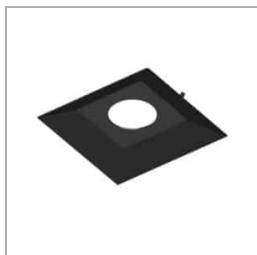
code QM100/01

Selection of projectors for indoor use, with painted aluminum body, fixed and adjustable with integrated LED sources with CRI > 90. Multiple installation options: recessed with or without frame, surface mounted or on Multi System Stucchi 48V rails. Spot, flood and wide lens optics with UGR < 19.

Technical Sheet



Accessori Quadra COVER A



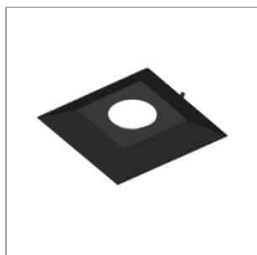
code QM200/01

Selection of projectors for indoor use, with painted aluminum body, fixed and adjustable with integrated LED sources with CRI > 90. Multiple installation options: recessed with or without frame, surface mounted or on Multi System Stucchi 48V rails. Spot, flood and wide lens optics with UGR < 19.

Technical Sheet



Accessori Quadra COVER B



code QM201/01

Selection of projectors for indoor use, with painted aluminum body, fixed and adjustable with integrated LED sources with CRI > 90. Multiple installation options: recessed with or without frame, surface mounted or on Multi System Stucchi 48V rails. Spot, flood and wide lens optics with UGR < 19.

Technical Sheet

