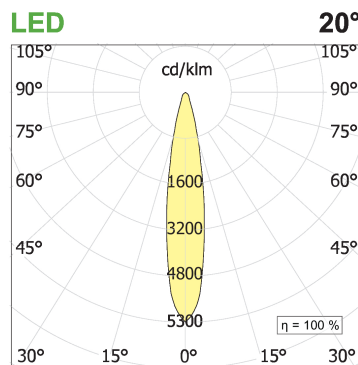
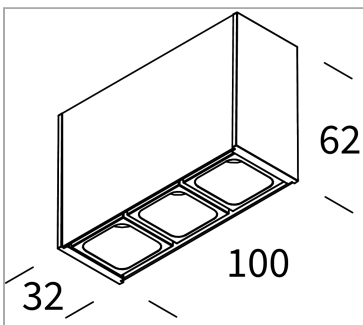
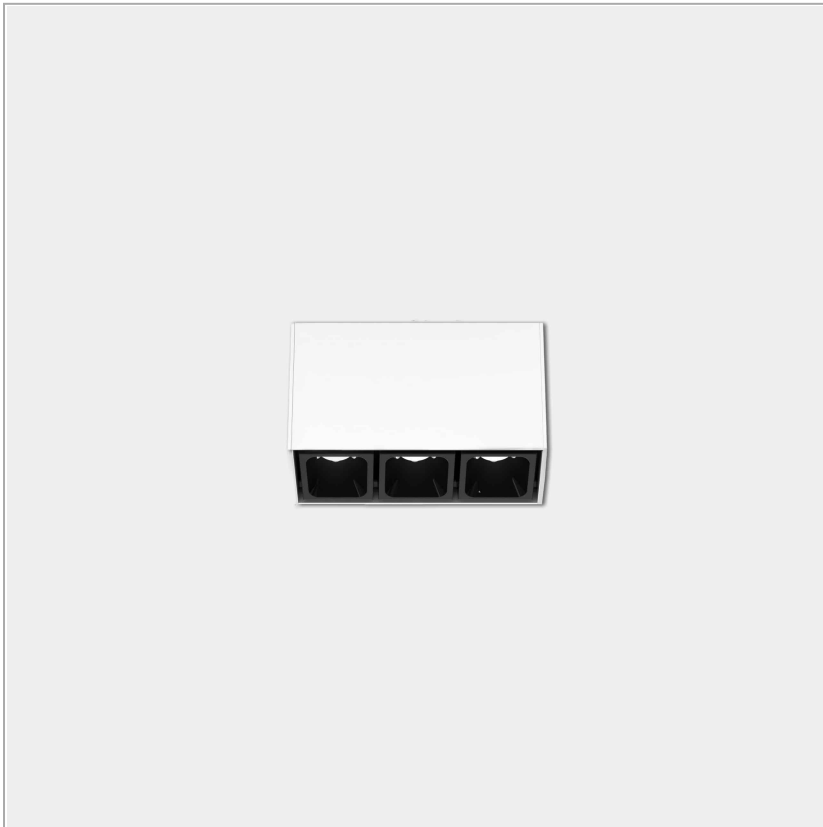


Leva 3 ceiling/Wall

code LV026.940SD/01



PRODUCT DESCRIPTION

Fix and adjustable projectors programme for chip on board LED sources. Mounting options: with frame and trimless recessed, ceiling and wall-mounted, 230V Eurostandard track and within the Lucifero's Container for Minifile and File 2. Fixture's body in painted extruded aluminum. Optical group complete with chip on board led, lens, antiglare housing and driver (except recessed versions and 1x and 3x ceiling/wall-mounted versions). Adjustable version for ceiling/wall mounting and for insertion within the Container for Minifile provided with special patented Soft Rotate & Slide mechanism, that allows the projector's extraction and aiming of 350° on the vertical axis and of 350° on the horizontal axis. Adjustable version for insertion within the Container for File 2 provided with special tilt mechanism, that allows the projector's extraction and aiming of +/-45° on the horizontal axis. Spot, flood and wide optics. UGR<19. Degree of protection IP23/43.

PRODUCT SPECS

Installation method	Wall surface mounted, Ceiling surface mounted
Light source	LED
Absorbed power	3x2,2 W
Color temperature	4000K
Color rendering index CRI	>90
Optic	Spot
Finishing	White box - black optic
Luminous flux of the product	615 lm
Luminous efficiency	93 lm/W
MacAdam color tolerance	2
Life time estimate	50000h Ta 25° L90B10
Energy efficiency class	E
Weight	0.26 Kg
Dimension	L100xW32xH62 mm
IP Grade	IP20
Protection Class	Class III appliance
Power supply/Transformer	Not included
Protocol	See power supply

WEB PAGE



ASSEMBLY INSTRUCTIONS

