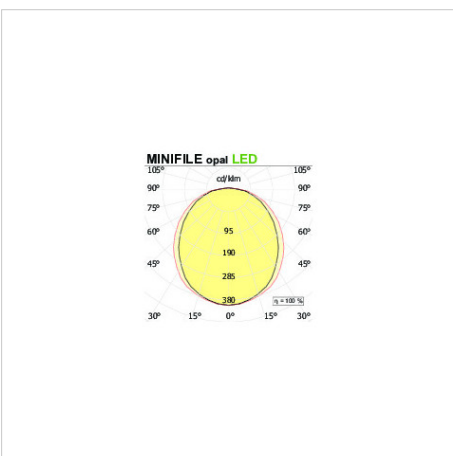
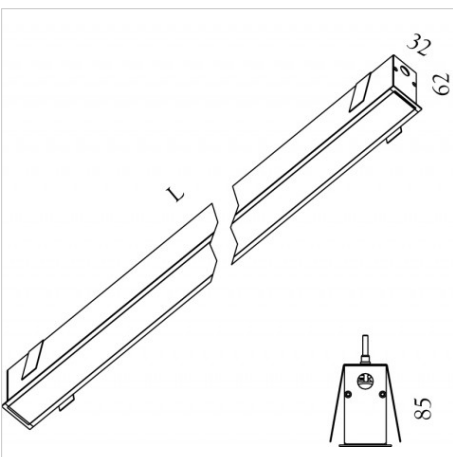


MINIFILE Recessed LED with diffuser

code ML003.830

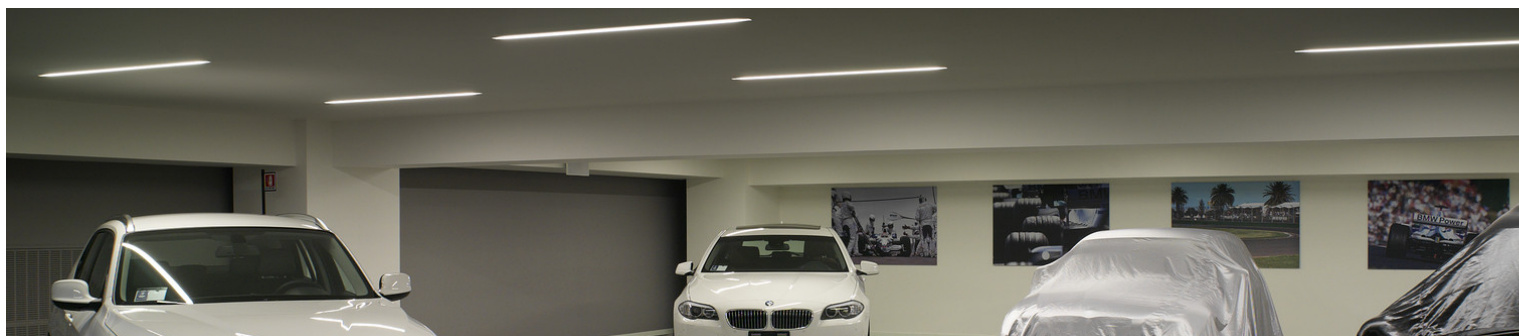


PRODUCT DESCRIPTION

Recessed with frame indoor direct emission lamp, complete of led 32W, color rendering index CRI >80, opal polycarbonate diffuser included. White/black/oxidised aluminium finishing direct emission lamp

PRODUCT FEATURES

| | |
|--|------------------------------------|
| Mounting method | recessed with frame |
| Lamps | linear LED |
| Wattage | 32W |
| Color temperature | 3000K |
| Color rendering index | >80 |
| Finishing | white / black / oxidised aluminium |
| Source luminous flux | 4960 lm |
| Diffuser | opal polycarbonate |
| Luminous flux | 1802 lm |
| Fitting efficiency | 56 lm/W |
| Chromaticity tolerance (initial 3 MacAdam) | |
| Estimated average life expectancy | 50000h Ta 25° L70B10 |
| Ballast | included |
| Protocol | On/Off |
| Mains voltage | 220-240V / 50-60Hz |
| Energy efficiency class | A+ |
| Dimension | L 1420 mm |
| Installation hole | mm 34xL+2 |
| Class of protection | Class I appliance |



ACCESSORIES

| | |
|-------------|--|
| LTMF.1000 | wallbox Minifile |
| LTMF.2000 | wallbox Minifile |
| LTMF.3000 | wallbox Minifile |
| LTMF.misura | wallbox Minifile |
| LTM200.1 | couple of closure heads for wallbox MINIFILE |