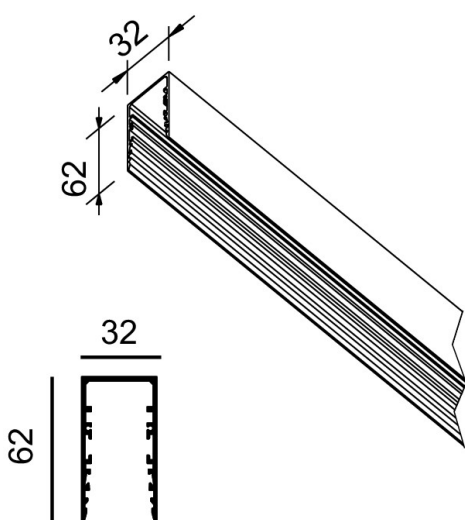


MINIFILE System suspension empty profile

code LTM01.2000



PRODUCT DESCRIPTION

Suspension/system item. white/black/oxidised aluminium finishing.
*Through this code it's possible to order the profile in a not-standard linear length. Replace the word "misura" with the desired length in mm. To order a profile with one or both ends 45° angle-cut add the letter "D" (right cut) or "S" (left cut) to the standard or custom length . follow the instructions on page 652. for lengths over 3 mt. to max. 6 mt. transport conditions to negotiate. |

PRODUCT FEATURES

Mounting method	suspension, system
Finishing	white / black / oxidised aluminium
Dimension	L 2000 mm
Adjustable	No
Drive-over	No
Walk-over	No
Circular shape	No
Oval shape	No
Soft-rotate & slide mechanism	No
Square shape	No

All the dimensions are detailed in millimeters: if not different stated

EN605981 compliant

Ci riserviamo la possibilità di apportare modifiche ai nostri prodotti in qualsiasi momento - We reserve the right to change our products at any time - En tous moment nous reservons le droit de modifier notre produits - Wir behalten uns vor, jederzeit Änderungen an unserem Produkten vorzunehmen - Nos reservamos en todo momento el derecho de realizar cambios en nuestros productos

Lucifero's srl - via del Tappeziere,3 - 40138 Bologna - Italia - ph. +39 051 6014276 - assistenza@luciferos.it - customercare@luciferos.it