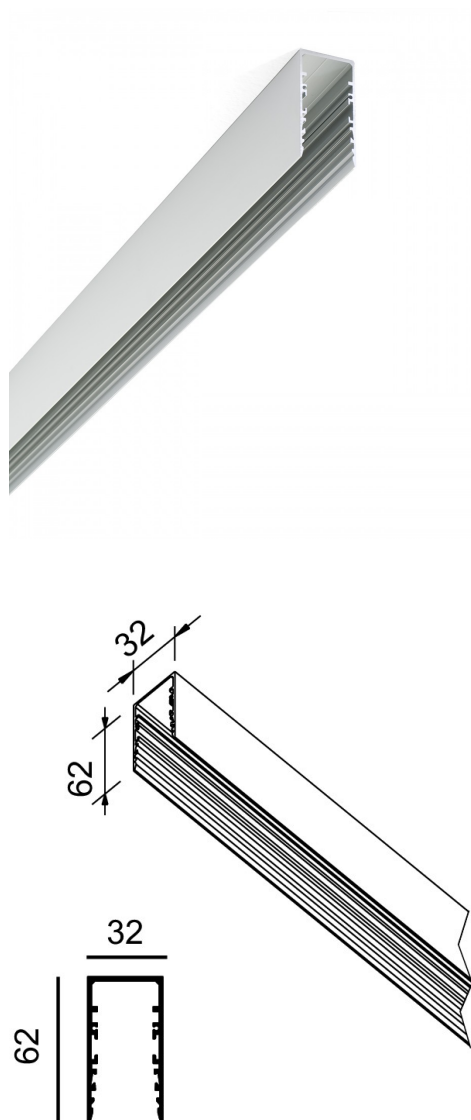


MINIFILE System wall empty profile

code LTM02.MISURA



PRODUCT DESCRIPTION

Wall/system item. white/black/oxidised aluminium finishing. *Through this code it's possible to order the profile in a not-standard linear lenght. Replace the word "misura" with the desired lenght in mm. To order a profile with one or both ends 45° angle-cut add the letter "D" (right cut) or "S" (left cut) to the standard or custom lenght . follow the instructions on page 652. for lenghts over 3 mt. to max. 6 mt. transport conditions to negotiate. |

PRODUCT FEATURES

Mounting method	wall, system
Finishing	white / black / oxidised aluminium
Ballast	not included
Adjustable	No
Drive-over	No
Walk-over	No
Circular shape	No
Oval shape	No
Soft-rotate & slide mechanism	No
Square shape	No

All the dimensions are detailed in millimeters: if not different stated

EN605981 compliant

Ci riserviamo la possibilità di apportare modifiche ai nostri prodotti in qualsiasi momento - We reserve the right to change our products at any time - En tous moment nous reservons le droit de modifier notre produits - Wir behalten uns vor, jederzeit Änderungen an unserem Produkten vorzunehmen - Nos reservamos en todo momento el derecho de realizar cambios en nuestros productos

Lucifero's srl - via del Tappeziere,3 - 40138 Bologna - Italia - ph. +39 051 6014276 - assistenza@luciferos.it - customercare@luciferos.it