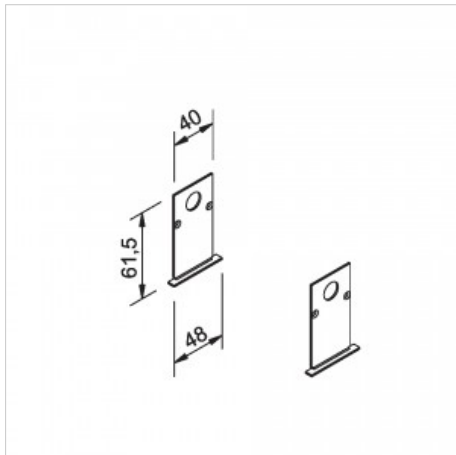


**CONTAINER File couple of closure heads**

code LT2480



**PRODUCT DESCRIPTION**

System item. white/black/oxidised aluminium finishing

**PRODUCT FEATURES**

Mounting method	system
Finishing	white / black / oxidised aluminium
Ballast	not included
Protocol	see power supplies
Weight	0.02 Kg
Adjustable	No
Drive-over	No
Walk-over	No
Circular shape	No
Oval shape	No
Soft-rotate & slide mechanism	No
Square shape	No
Exagonal shape	No
Rectangular shape	No