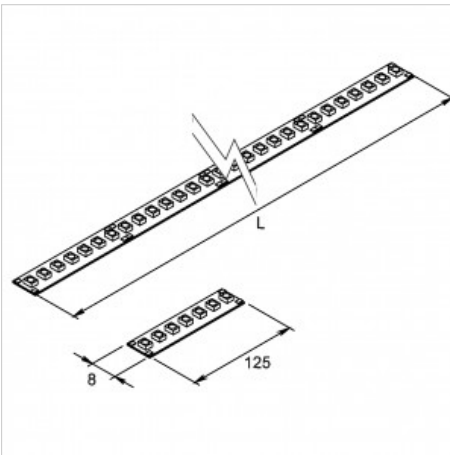


CONTAINER File strip led roll ST5

code ST05.30.5



PRODUCT DESCRIPTION

System item. High efficiency strip led with biadhesive and support of 8 mm wide on 5 meters roll. To be fed with 24Vdc voltage-stabilized driver. Insulation class III.

PRODUCT FEATURES

Mounting method	system
Wattage	5,5W
Color temperature	3000K
Color rendering index	80
Source luminous flux	657lm
Luminous flux	3285 lm
Fitting efficiency	597 lm/W
Ballast	not included
Protocol	see power supplies
Energy efficiency class	A+
Weight	0,18 Kg
Dimension	L 5000 mm
Protection degree	IP20
Adjustable	No
Drive-over	No
Walk-over	No
Circular shape	No
Oval shape	No
Soft-rotate & slide mechanism	No
Square shape	No
Exagonal shape	No
Rectangular shape	No

ELECTRONICS

On/Off Ballast

AE75.24V	75W 24VdcV
AE25.24VIP	25W 24VdcV
AE20.24V	20W 24VdcV
AE50.24V	50W 24VdcV
AE30.24VL	30W 24VdcV
AE60.24VIP	60W 24VdcV