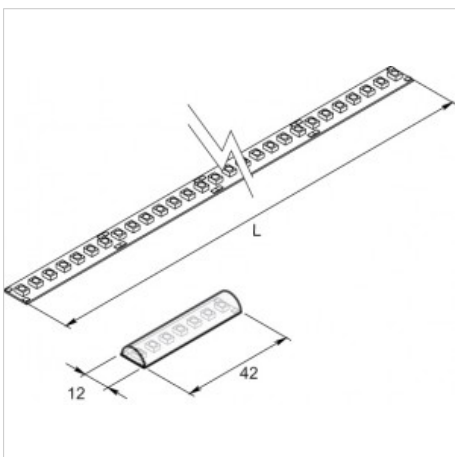
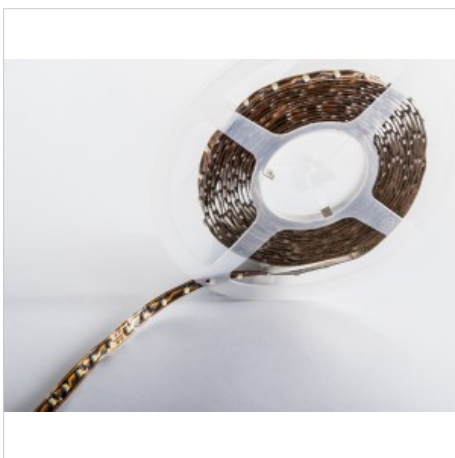


CONTAINER File strip led roll ST20 IP

code ST20.30.5IP



PRODUCT DESCRIPTION

System item. High efficiency strip led with adhesive and support of 8 mm wide on 5 meters roll. To be fed with 24Vdc voltage-stabilized driver. Grade of protection IP65. Insulation class III.

PRODUCT FEATURES

Mounting method	system
Wattage	18W
Color temperature	3000K
Color rendering index	80
Source luminous flux	1964lm
Luminous flux	9820 lm
Fitting efficiency	546 lm/W
Ballast	not included
Protocol	see power supplies
Energy efficiency class	A+
Weight	0,18 Kg
Dimension	L 5000 mm
Protection degree	IP67
Adjustable	No
Drive-over	No
Walk-over	No
Circular shape	No
Oval shape	No
Soft-rotate & slide mechanism	No
Square shape	No
Exagonal shape	No
Rectangular shape	No