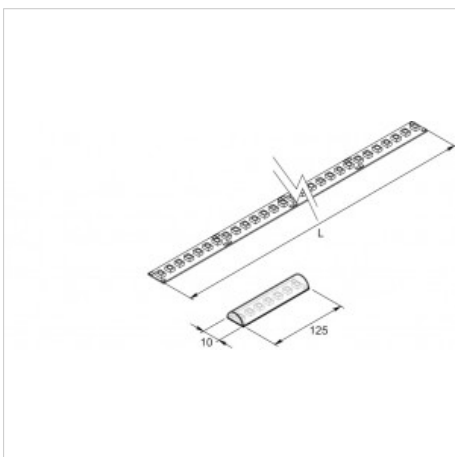
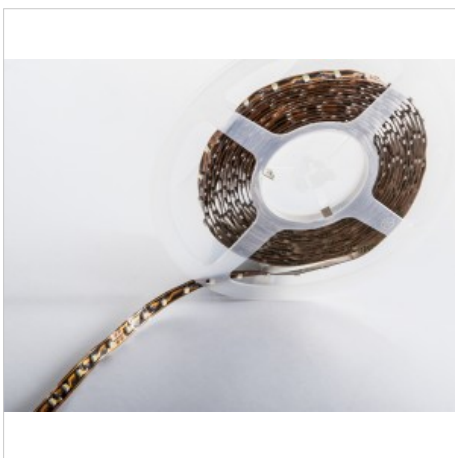


**CONTAINER File strip led roll ST10 IP**

code ST10.40.5IP



**PRODUCT DESCRIPTION**

System item. High efficiency strip led with biadhesive and support of 8 mm wide on 5 meters roll. To be fed with 24Vdc voltage-stabilized driver. Grade of protection IP65. Insulation class III.

**PRODUCT FEATURES**

Mounting method	system
Wattage	9,6W
Color temperature	4000K
Color rendering index	80
Source luminous flux	660lm
Luminous flux	3300 lm
Fitting efficiency	344 lm/W
Ballast	not included
Protocol	see power supplies
Energy efficiency class	A++
Weight	0,18 Kg
Dimension	L 5000 mm
Protection degree	IP67
Adjustable	No
Drive-over	No
Walk-over	No
Circular shape	No
Oval shape	No
Soft-rotate & slide mechanism	No
Square shape	No
Exagonal shape	No
Rectangular shape	No

## **ELECTRONICS**

### **On/Off Ballast**

AE75.24V	75W 24VdcV
AE25.24VIP	25W 24VdcV
AE20.24V	20W 24VdcV
AE50.24V	50W 24VdcV
AE30.24VL	30W 24VdcV
AE60.24VIP	60W 24VdcV