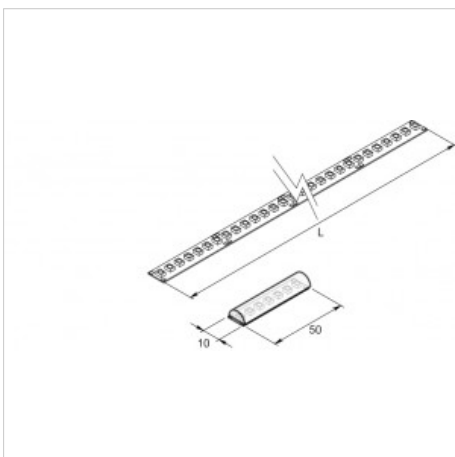
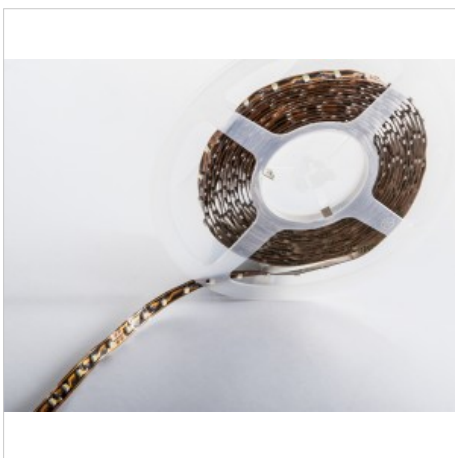


CONTAINER File strip led roll ST15 IP

code ST15.40.5IP



PRODUCT DESCRIPTION

System item. High efficiency strip led with biadhesive and support of 8 mm wide on 5 meters roll. To be fed with 24Vdc voltage-stabilized driver. Grade of protection IP65. Insulation class III.

PRODUCT FEATURES

Mounting method	system
Wattage	11W
Color temperature	4000K
Color rendering index	80
Source luminous flux	1670lm
Luminous flux	8350 lm
Fitting efficiency	759 lm/W
Ballast	not included
Protocol	see power supplies
Energy efficiency class	A++
Weight	0,18 Kg
Dimension	L 5000 mm
Protection degree	IP67
Adjustable	No
Drive-over	No
Walk-over	No
Circular shape	No
Oval shape	No
Soft-rotate & slide mechanism	No
Square shape	No
Exagonal shape	No
Rectangular shape	No

ELECTRONICS

On/Off Ballast

AE75.24V	75W 24VdcV
AE25.24VIP	25W 24VdcV
AE20.24V	20W 24VdcV
AE50.24V	50W 24VdcV
AE30.24VL	30W 24VdcV
AE60.24VIP	60W 24VdcV