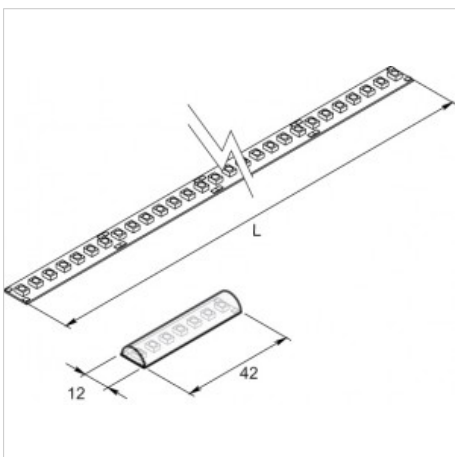
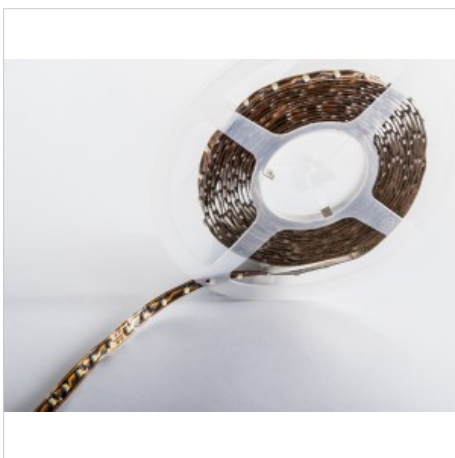


CONTAINER File strip led roll ST20 IP

code ST20.40.5IP



PRODUCT DESCRIPTION

System item. High efficiency strip led with biadhesive and support of 8 mm wide on 5 meters roll. To be fed with 24Vdc voltage-stabilized driver. Grade of protection IP65. Insulation class III.

PRODUCT FEATURES

| | |
|-------------------------------|--------------------|
| Mounting method | system |
| Wattage | 18W |
| Color temperature | 4000K |
| Color rendering index | 80 |
| Source luminous flux | 1970lm |
| Luminous flux | 9850 lm |
| Fitting efficiency | 547 lm/W |
| Ballast | not included |
| Protocol | see power supplies |
| Energy efficiency class | A++ |
| Weight | 0,18 Kg |
| Dimension | L 5000 mm |
| Protection degree | IP67 |
| Adjustable | No |
| Drive-over | No |
| Walk-over | No |
| Circular shape | No |
| Oval shape | No |
| Soft-rotate & slide mechanism | No |
| Square shape | No |
| Exagonal shape | No |
| Rectangular shape | No |

ELECTRONICS

On/Off Ballast

| | |
|------------|------------|
| AE75.24V | 75W 24VdcV |
| AE25.24VIP | 25W 24VdcV |
| AE20.24V | 20W 24VdcV |
| AE50.24V | 50W 24VdcV |
| AE30.24VL | 30W 24VdcV |
| AE60.24VIP | 60W 24VdcV |